

## INSTALLATION INSTRUCTIONS

### Sharp MWO Drawer Pedestal Model SKMD24U0ES

For use with Microwave Drawer models SMD2477ASC, SMD2477AHC, SMD2443JSC, SMD2479KSC and SMD2489ESC.

\* Black Stainless Steel model - custom panels recommended due to different finish.

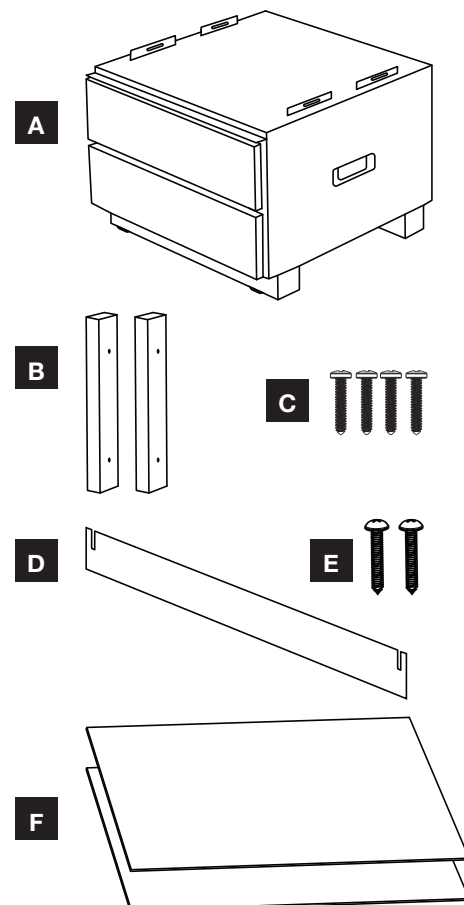
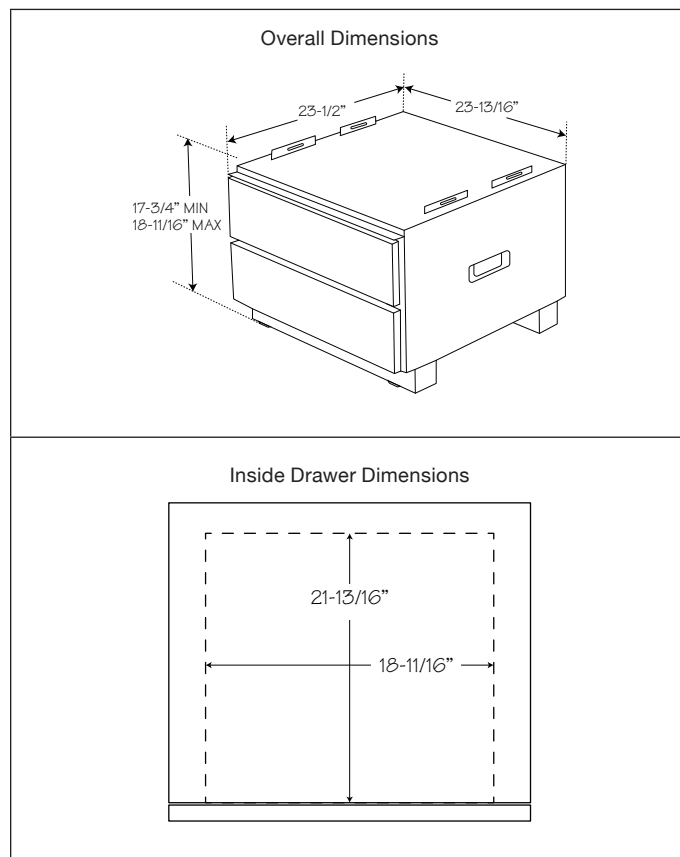
#### IMPORTANT NOTES TO THE INSTALLER

- PLEASE READ THESE INSTRUCTIONS THOROUGHLY BEFORE BEGINNING INSTALLATION.
- Observe all governing codes, ordinances, and safety instructions.
- Refer to these specific models' installation instructions for more information on placement.
- Be sure to leave these instructions with the consumer.

**NOTE:** This installation process requires two people. Please ensure you have another person to help lift and install the unit.

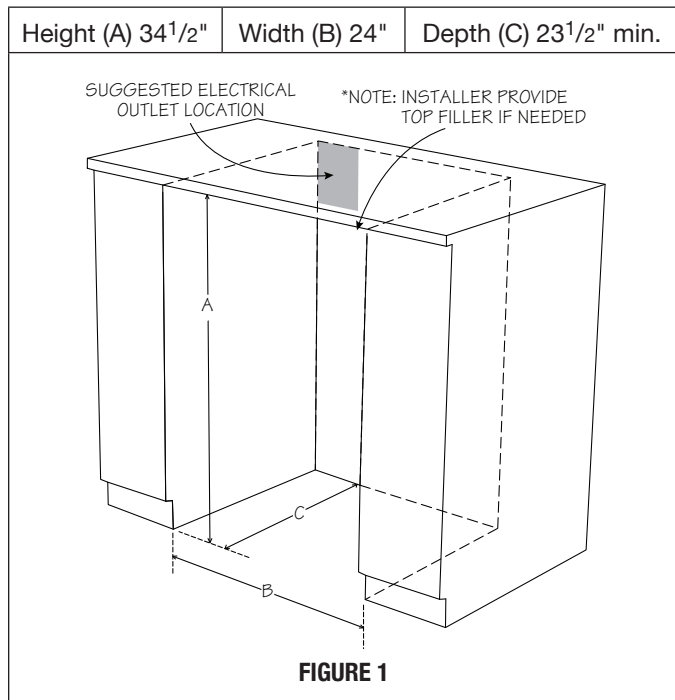
**WARNING:** Follow all of the steps provided in this installation. Improperly securing or installing the unit can lead to possible injury or damage to the unit.

ITEM	PART NAME	QTY
A	UTC PEDESTAL: DPED-B001MRK0	1
B	MOUNTING CLEATS: SPAK-B117MRE0	2
C	MOUNTING CLEAT SCREWS: XMSS742P38000	4
D	TOE KICK: GCOVHB087MRT0	1
E	TOE KICK SCREWS: XUPS840P12X00	2
F	DRAWER MATS: PCOV-B009MRE0	2

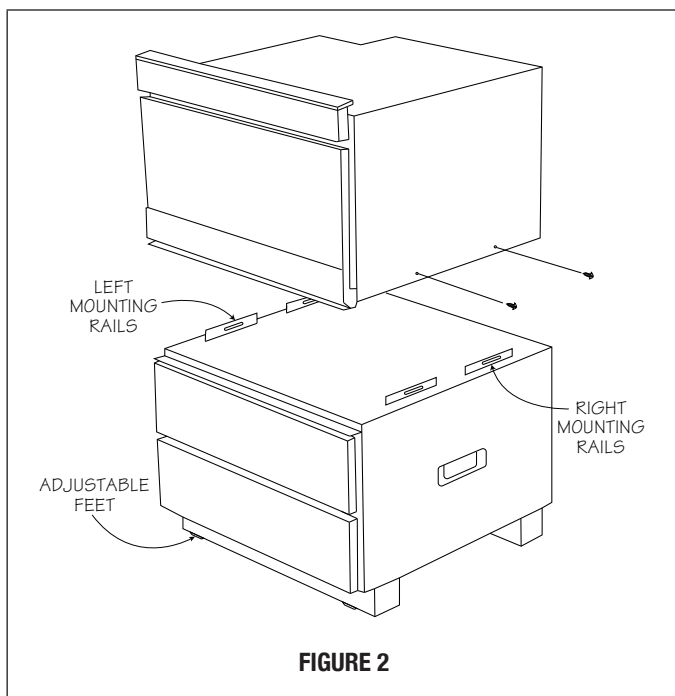


# INSTALLATION INSTRUCTIONS

1. Cabinet cutout dimensions. Prepare the cabinet opening as shown in Figure 1.



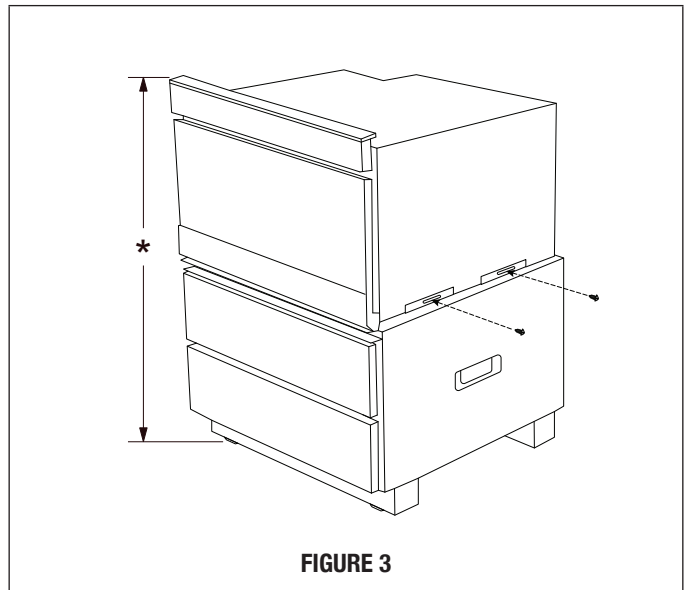
2. Place the Microwave Drawer on a secure surface. Remove the 4 bottom screws (2 on each side) of the Microwave Drawer as shown in Figure 2. Carefully place the Microwave Drawer on top of the pedestal in-between the mounting rails on the left and right.



\* Refer to the Microwave Drawer installation instructions for the models' specific below-the-counter clearance guidelines.

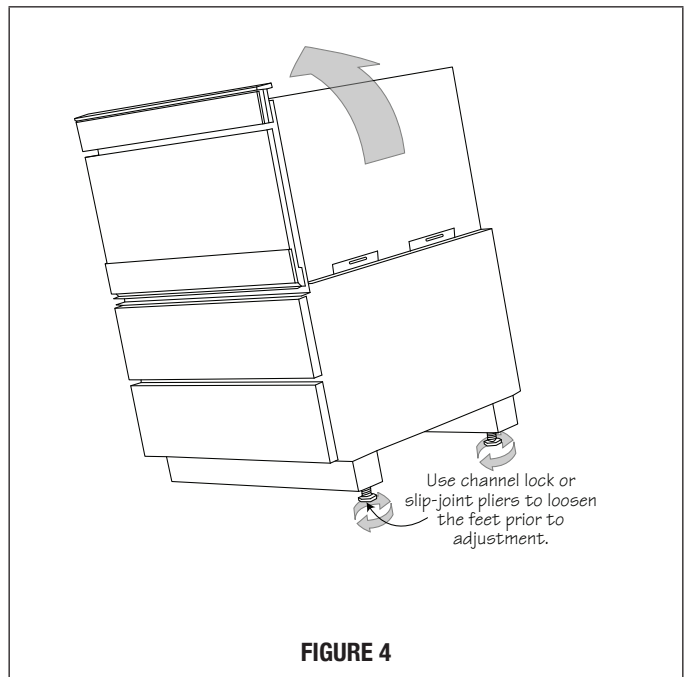
3. Align the front face of the Microwave Drawer with the front face of the pedestal drawers.

Once positioned, fasten the Microwave Drawer to the pedestal using the same 4 screws from Step 2. See Figure 3.



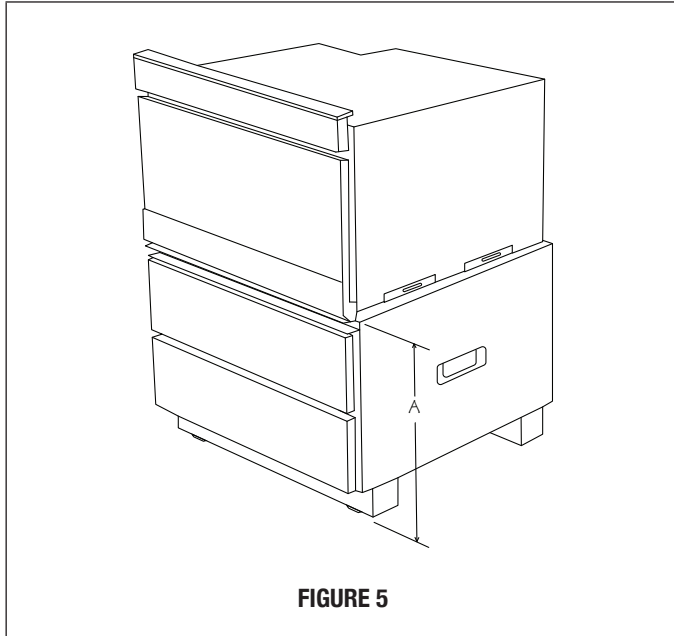
4. Adjust the height of the overall unit to fit your specific opening. The pedestal contains 4 adjustable feet. To adjust, have one person tilt the unit to one side while the other person adjusts the 2 feet on the raised side to the desired height. Repeat this step by tilting the unit to the other side and adjusting the other 2 feet. Ensure that all feet are adjusted equally to balance the unit. See Figure 4.

**CAUTION:** Do not tilt forward. The pedestal drawers will extend out.



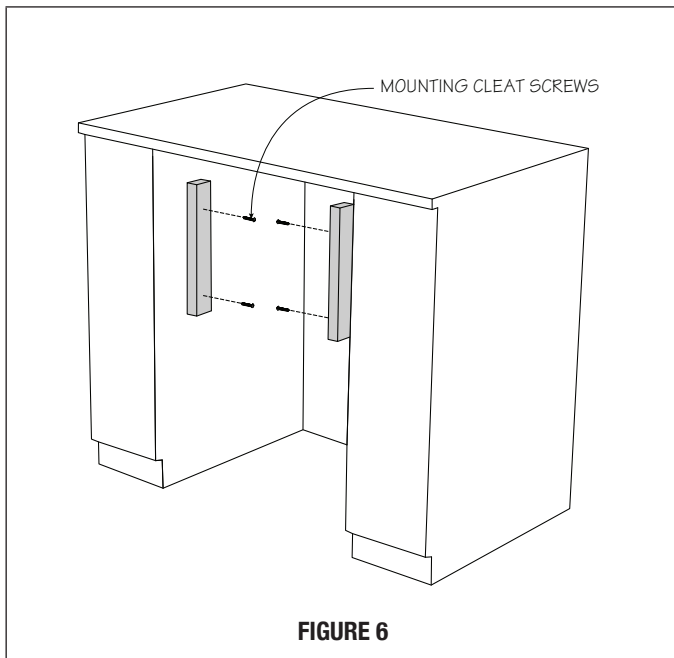
# INSTALLATION INSTRUCTIONS

5. Once the overall height has been confirmed, measure the distance from the top surface of the pedestal unit to the floor. See Figure 5. This measurement will be needed for the installation of the wooden mounting cleats.

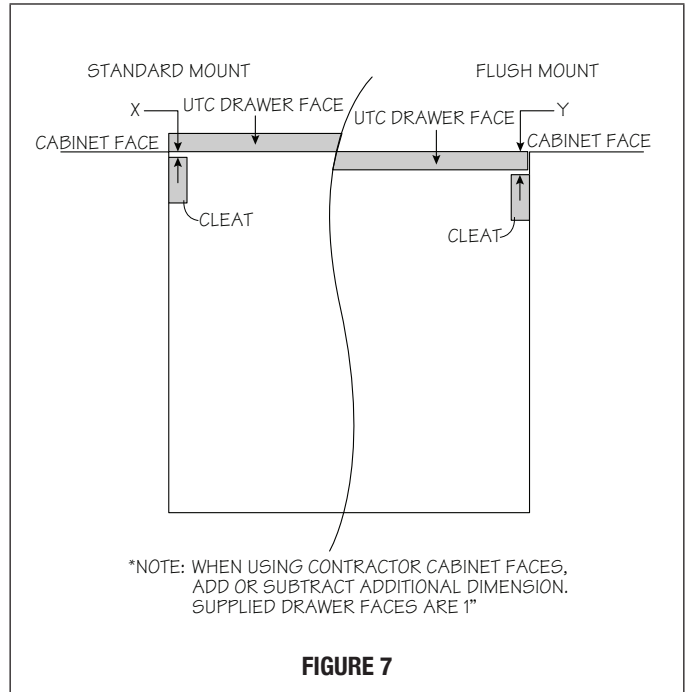


**FIGURE 5**

6. Install the wooden cleats. Align the bottom of the cleat to the measurement from Step 5. The pedestal can be installed flush or standard with the face of the cabinet. Depending on the preference, the depth of the cleat position should be adjusted as such. See Figure 6. Position each cleat and mark the holes on the cabinet. Pre-drill each hole in the cabinet using a 1/16" drill bit. Attach both cleats using the 4 mounting cleat screws. See Figure 7.



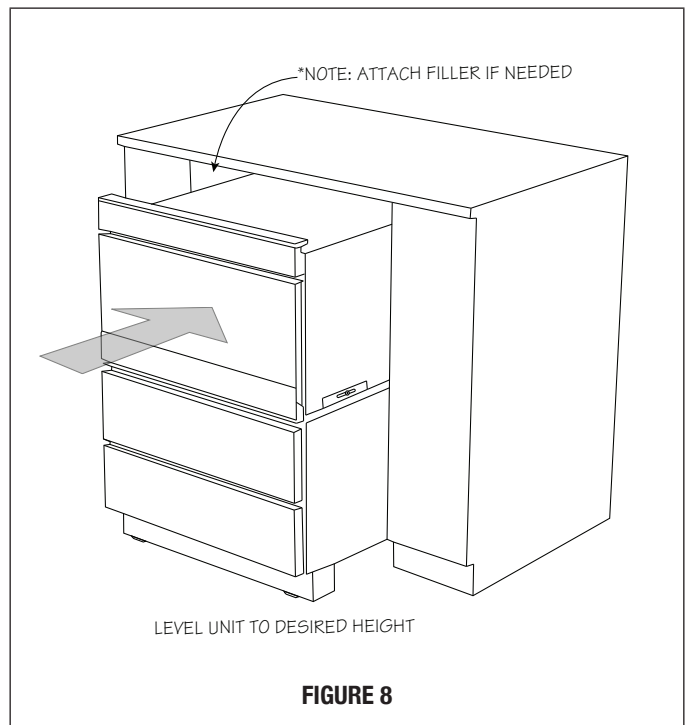
**FIGURE 6**



**FIGURE 7**

7. Slide the unit into the opening. Plug the Microwave Drawer into the wall receptacle prior to pushing the unit all the way in. See Figure 8. The mounting angles of the Microwave Drawer should rest against the installed wooden cleats.

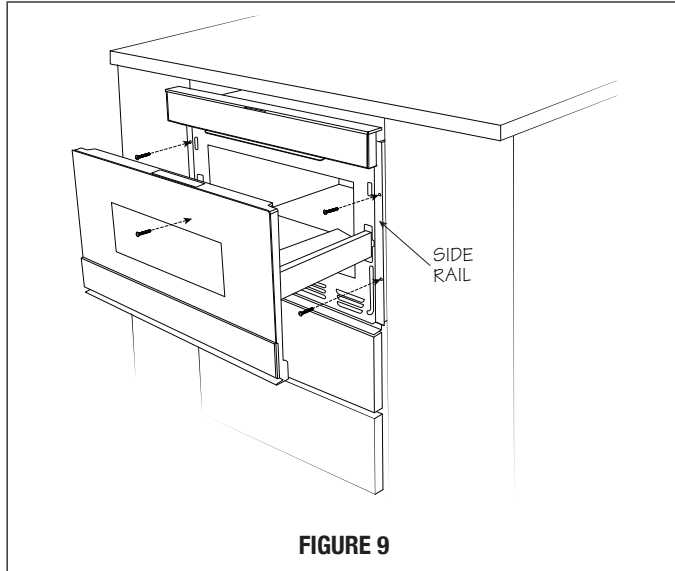
**NOTE:** To aid in sliding the unit into the space, open the bottom drawer and use middle frame to push into place. In addition, there are built-in handles on each side of the pedestal that can assist in the movement of the unit. Tuck cord behind the oven before pushing the assembled unit in.



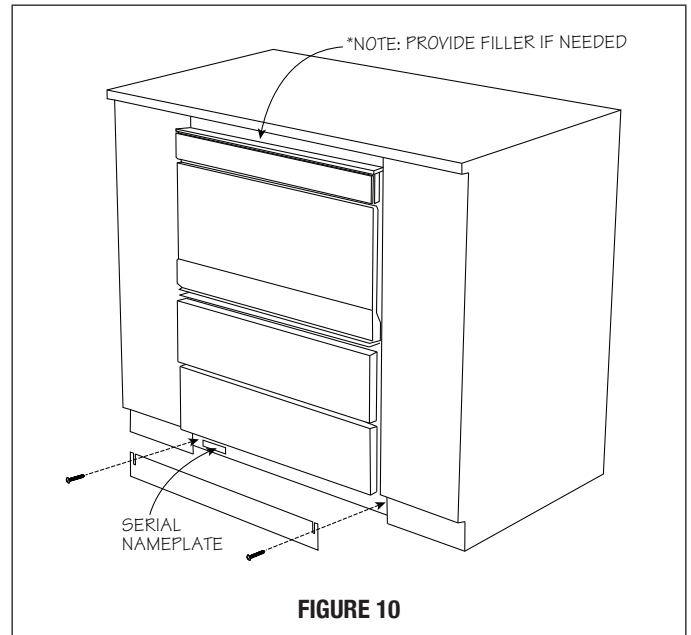
**FIGURE 8**

## INSTALLATION INSTRUCTIONS

8. Open the Microwave Drawer door and pre-drill each hole using a 1/16" drill bit. Fasten the unit to the mounting cleats using the 4 mounting screws provided with your Microwave Drawer. See Figure 9.



9. Install bottom kickplate. Use the 2 toe kick screws to fasten the plate. See Figure 10.

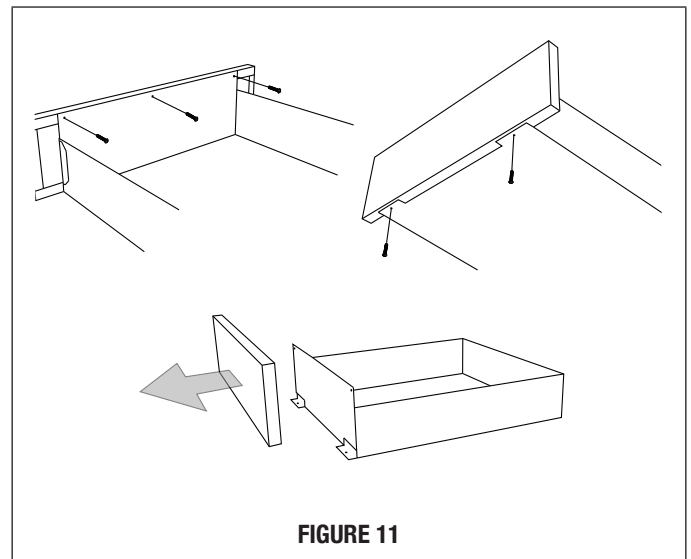


## CUSTOM PANEL INSTALLATION

The Microwave Drawer pedestal drawer fronts can be replaced with custom wood fronts. If custom drawer faces are preferred, the stainless steel drawer faces can be taken off by removing 5 screws (3 on the back side and 2 underneath). See Figure 11.

Suggested custom drawer face dimensions:

Height	6 <sup>3</sup> / <sub>8</sub> "
Width	23 <sup>11</sup> / <sub>16</sub> "
Depth	1"



# SHARP®

SHARP ELECTRONICS CORPORATION • 100 Paragon Drive, Montvale, New Jersey 07645 • USA  
For any other assistance or information about this kit, please call Sharp's Customer Assistance Center: 1-800-BE-SHARP (1-800-237-4277)

SHARP ELECTRONICS OF CANADA LTD • 335 Britannia Road East, Mississauga, Ontario, L4Z 1W9 • Canada  
For any other assistance or information about this kit, please call 877-278-6709 Mon-Fri: 8am-5pm EST (except statutory holidays)